

# autovictor

 *Keep on moving to the future.*

## PIATTAFORME AEREE

JLG 1500



# 1500SJ

## TELESCOPIC ULTRA BOOM

BOOM LIFT



### KEY SPECS

**Platform Height**  
150-ft / 45.7-m

**Drive Speed**  
3.0 mph / 4.8 km/h

**Horizontal Outreach**  
80-ft / 24.38-m

**Platform Capacity**  
1,000-lb / 454-kg - Restricted  
500-lb / 227-kg - Unrestricted

### KEY FEATURES

- Experience greater work envelope flexibility and additional outreach at elevation with telescoping jib.
- Carry everything you need right to the job with dual 1,000-lb restricted and 500-lb unrestricted capacities for maximum productivity.
- Designed for ease of transport with no oversized load permit needed (over-weight permit required for highway transportation).
- Single sensor load sensing system features fewer parts and requires no weight to calibrate.

### ACCESSORIES & OPTIONS

- Accessory Packages:
  - SkyWelder® Package
  - SkyPower® Package
  - SkyGlazier® Package
- Ambient White Noise Alarm
- Bolt On Fall Arrest System
- Cold Package Plus<sup>1</sup>
- Cold Weather Package<sup>2</sup>
- Hostile Environment Package<sup>3</sup>
- Light Packages
- Platform Mesh, Bolt On
  - Mesh to Top Rail, Plastic or Aluminum
  - Mesh to Mid Rail, Plastic or Aluminum
- Platform Options
  - Fall Arrest, Rear Entry - 36 x 96-in
  - Drop Bar - 30 x 36-in, 30 x 48-in, 36 x 72-in, 36 x 96-in
  - Inward Self-Closing Swing Gate - 30 x 48-in, 36 x 72-in, 36 x 96-in
  - Tri-Entry, Drop Bar - 36 x 72-in, 36 x 96-in
- Tri-Entry, Swing Gate - 36 x 72-in, 36 x 96-in
- SkySense® Enhanced Detection System
- Soft Touch System

### STANDARD SPECIFICATIONS

#### Performance

Platform Height	150-ft / 45.7-m
Horizontal Outreach	80-ft / 24.38-m
Swing	360 Degrees Continuous
Platform Capacity (Restricted)	1,000-lb / 454-kg
Platform Capacity (Unrestricted)	500-lb / 227-kg
Platform Rotator	180 Degrees Hydraulic
Jib Length (Retracted)	15-ft 2-in / 4.62-m
Jib Length (Extended)	25-ft / 7.62-m
Jib Range of Articulation	120 Degrees (+75, -45)
Weight*	48,000-lb / 21,772-kg
Max. Ground Bearing Pressure	113 psi / 7.94 kg/cm <sup>2</sup>
Drive Speed	3.0 mph / 4.8 km/h
Gradeability	40%
Tilt Cut Out	4 Degrees
Turning Radius (Inside):	
Axles (Retracted/Extended)	14-ft 5-in (4.39-m) / 8-ft (2.44-m)
Turning Radius (Outside):	
Axles (Retracted/Extended)	22-ft 6-in (6.86-m) / 19-ft 4-in (5.89-m)

#### Engine

Diesel Engine – Deutz TD2.9L4 Tier 4 Final	74.2 hp / 55.4 kW
Fuel Tank Capacity	31 gal / 117.35 L

#### Tires

Standard	445/50D710 Foam-filled
Optional	445/65 Solid 445/65-24 Solid Non-marking

#### Hydraulic System

Capacity	55 gal / 208.2 L
----------	------------------

### STANDARD FEATURES

- 12V-DC Auxiliary Power
- 173 Degrees Hydraulic Platform Rotator
- 3 Selectable Steering Modes
- AC Receptacle in Platform
- All Motion Alarm
- Center Storage Tray
- ClearSky Smart Fleet™ Hardware (CS550)
- Control ADE® System
- Drive-Out Extendable Axles
- Engine Distress Warning/Shutdown—Selectable via JLG Analyzer
- Full-Time 4WD
- Glow Plugs
- Gull-Wing Steel Hoods
- Hourmeter
- LED Motion/Amber Beacon (CS550)
- Lifting/Tie Down Lugs
- Load Sensing System
- LCD Panel at Operator's Platform Control Console
- Proportional Controls
- Platform Console Machine Status Light Panel\*\*
- Rapid Replaceable Platform with Self-Closing Gate
- Selectable Capacity Envelope
- Swing-Out Engine Tray
- SkyGuard SkyLine™
- Tilt Light and Alarm
- USB-A and USB-C Charger

\*Certain Options or Country Standards Increase Weight.

\*\*Provides Indicator Lights at Platform Control Console for System Distress, Low Fuel, Degree Tilt Light and Foot Switch Status.

1. Includes extreme cold engine oil, fuel conditioner, engine block heater, battery blanket, glow plugs, hydraulic tank heater, and oversized footswitch.
2. Includes battery blanket, hydraulic tank heater, block heater.
3. Includes console cover, boom wipers and cylinder bellows.

Additional accessories and options available via JLG Aftermarket.

# 1500SJ

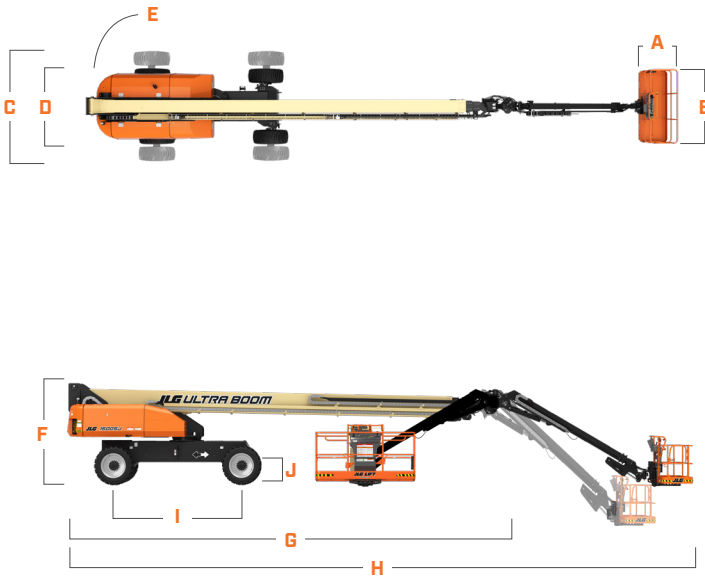
## TELESCOPIC ULTRA BOOM

BOOM LIFT



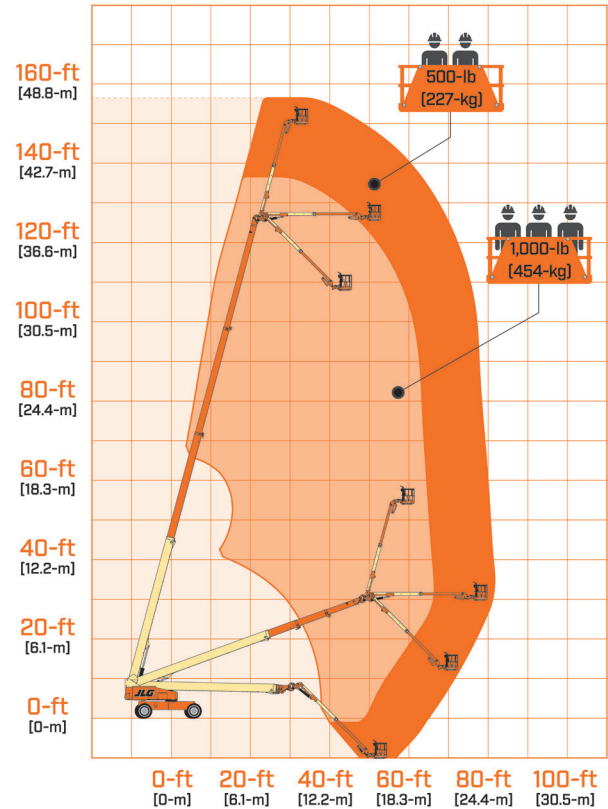
### DIMENSIONS

All dimensions are approximate



<b>A.</b> Platform Width	36-in / 91-cm
<b>B.</b> Platform Length	96-in / 2.44-m
<b>C.</b> Machine Width - Axles Extended	12-ft 6-in / 3.81-m
<b>D.</b> Machine Width - Axles Retracted	8-ft 2-in / 2.49-m
<b>E.</b> Tailswing	5-ft 6-in / 1.67-m
<b>F.</b> Machine Height	10-ft / 3.05-m
<b>G.</b> Machine Length - Stowed	43-ft / 13.11-m
<b>H.</b> Machine Length - Overall	61-ft 9-in / 18.81-m
<b>I.</b> Wheelbase	12-ft 6-in / 3.81-m
<b>J.</b> Ground Clearance	12-in / 30-cm - Axle 25.5-in / 65-cm - Chassis

### REACH DIAGRAM



We provide coverage for one (1) full year, and cover all specified major structural components for five (5) years. Due to continuous product improvements, we reserve the right to make specification and/or equipment changes without prior notification. This machine meets or exceeds applicable ANSI and CSA requirements based on machine configuration as originally manufactured for intended applications. Please reference the serial number plate on the machine for additional information.



**JLG INDUSTRIES, INC.**  
Toll-free US 877-JLG-LIFT  
[JLG.com](http://JLG.com)

An Oshkosh Corporation Business

# autovictor

 Keep on moving to the future.

*JLG 1500*



AUTOVICTOR s.r.l.

Via Galvani 11/13  
28060 San Pietro Mosezzo - Novara  
Tel. +39 0321 35000  
[info@autovictor.it](mailto:info@autovictor.it)  
[www.autovictor.it](http://www.autovictor.it)